



Cover 1:
Jedi Silver

Cover 2:
Sunset Gold

Limed Oak Feet

Jett Collection

Extra Flex[®]
Soft, Supportive Seating

Colours represented are to be used as a guide only.
Please refer to manufacturers swatch for a more accurate colour match.

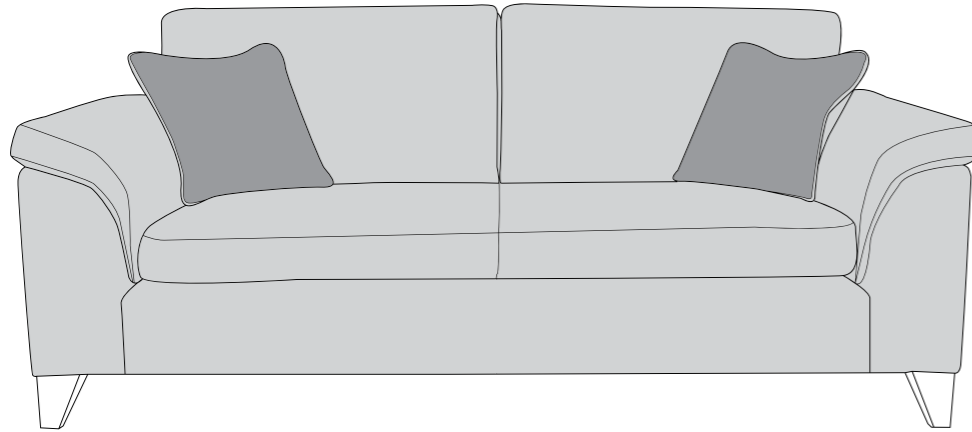
Please note that colour shadings can vary slightly from each roll of fabric.
We cannot guarantee a precise match to these samples or between cut lengths and upholstered goods.

10/02/2020

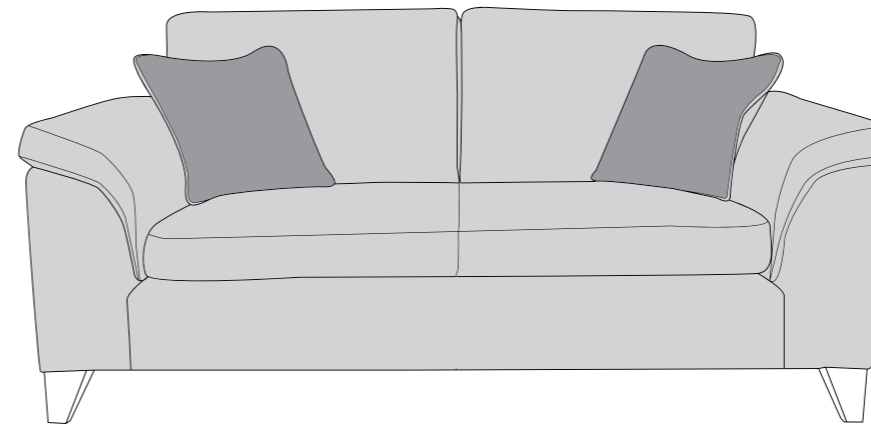
JETT COVER GUIDE: STANDARD BACK ONLY

Please use this guide when ordering the following pieces to clarify cover options.

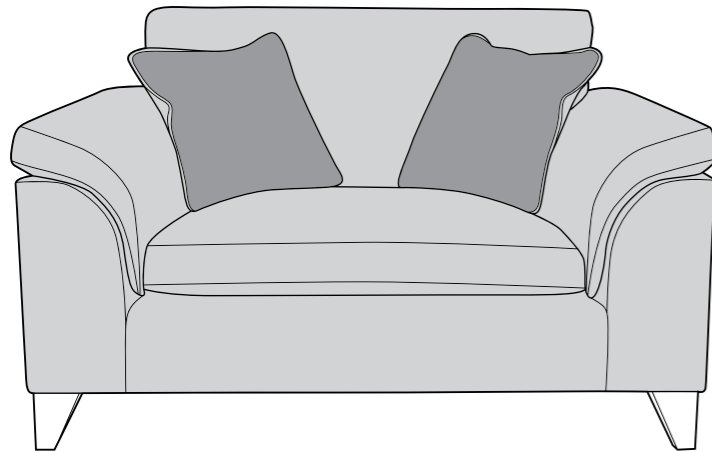
3 Seater Sofa (3ST)



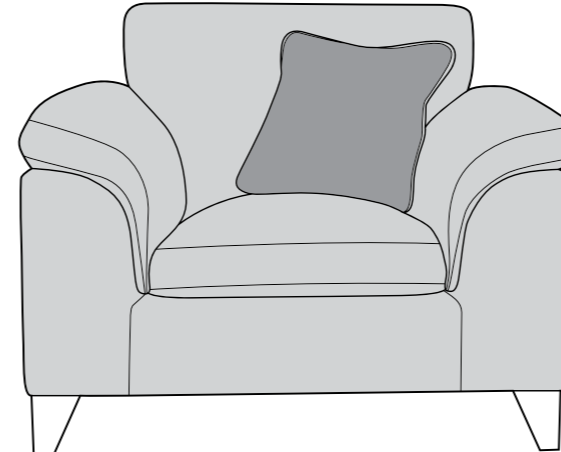
2 Seater Sofa (2ST)



Love Chair (LOV)

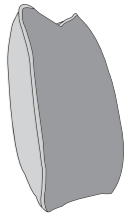


Arm Chair (1ST)



-  **COVER 1**
(BODY)
-  **COVER 2**
(SCATTER)

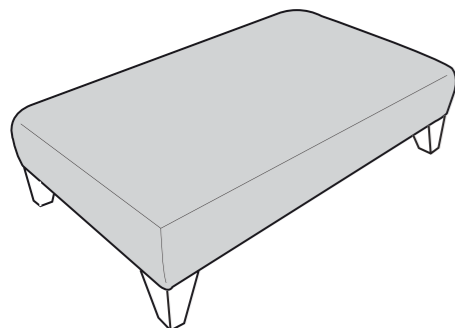
Scatter Cushions



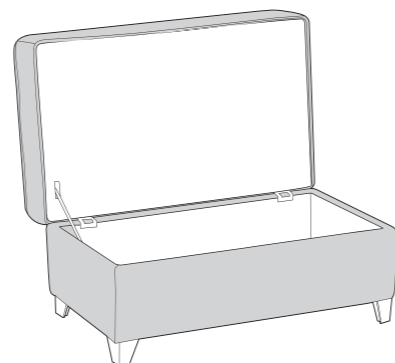
Front = Cover 2
Piping = Cover 1
Back = Cover 1

ACCENT PIECES

New Fenton Footstool (FST)



Austin Storage Footstool (FSS)



JETT DIMENSIONS (CM)

AVAILABLE PIECES	HEIGHT 1	OUTBACK HEIGHT	WIDTH 2	DEPTH 3	ARM HEIGHT	SEAT HEIGHT 4	SEAT DEPTH 5	SEAT WIDTH 6	ACCESS DIAGONAL 7	WEIGHT (KG)	SCATTER CUSHION NO.
3 SEATER SOFA (3ST)	84	73	205	94	66	46	55	149	221	53	2
2 SEATER SOFA (2ST)	84	73	178	94	66	46	55	127	198	48	2
LOVE CHAIR (LOV)	84	73	134	94	66	46	55	76	160	41.5	2
ARM CHAIR (1ST)	84	73	104	94	66	46	55	45	136	35.5	1
ACCENT PIECES											
NEW FENTON FOOTSTOOL (FST)	35	N/A	106	65	N/A	N/A	N/A	N/A	75	14.5	N/A
AUSTIN STORAGE FOOTSTOOL (FSS)	37	N/A	104	64	N/A	N/A	N/A	N/A	117	21.5	N/A

* Hardwood & composite board frame.

* Dowelled, screwed, glued & stapled joinery.

* Lined Oak or Antique foot options.

* Fibre filled reversible backs for added comfort.

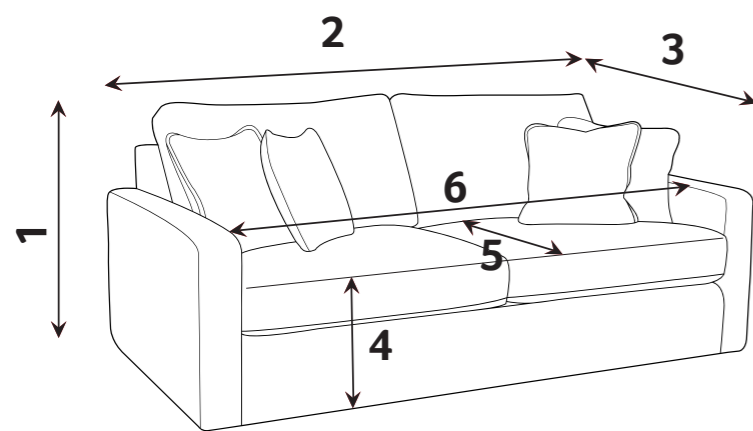
* Fibre filled scatters included.

* ExtraFlex high comfort seat cushions.

* Serpentine seat springs & silent wire.

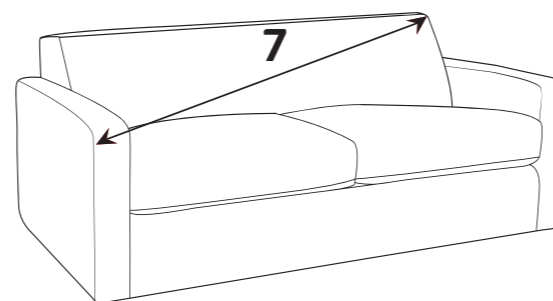
* Elasticated back webbing.

DIMENSION GUIDE



- 1 - HEIGHT
- 2 - WIDTH
- 3 - DEPTH
- 4 - SEAT HEIGHT
- 5 - SEAT DEPTH (STD & PILLOW)
- 6 - SEAT WIDTH
- 7 - DIAGONAL ACCESS

Check the diagonal access dimension to ensure furniture will fit in your home.



Illustrations used for reference only.

Extra Flex®

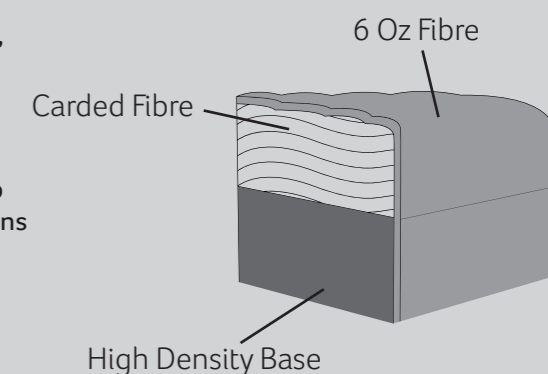
A high density foam base seat interior with a hand-rolled carded fibre, channelled topper which provides both softness and support.

CARE GUIDE

Extraflex seat cushions should be **plumped up on a regular basis** to help maintain the aesthetic appeal of your upholstery, the plumping of cushions is essential to help retain the comfort and softness of any piece of upholstered furniture.

To improve the longevity of your hand-made furniture, we recommend rotating cushions (where applicable).

For further information on maintaining your furniture please refer to the care guide located under the seat platform.



FOOT OPTIONS:

Antique



Limed Oak



Wood is a natural product and will vary in shade/colour from item to item. Feet may require fitting.

Please note: All dimension are approximate. Allow tolerance of +/- 2.5cm.



The mark of responsible forestry